



# **samex**

**PROFESSIONAL CUTTING EQUIPMENT**

RollMaster Data Sheet

# RollMaster

## Roller blinds cutting table



Many years of experience in designing cutting tables allowed us to create a universal machine with unusual expansion and configuration options.

With this approach, we are able to adapt to very diverse needs of our clients without the need to design the customized device.

Additional accessories useful during the production process can be installed on the cutting table at any given moment as well as quickly disassembled.

RollMaster is available in three versions: Standard, Super and Premium. Each version has a different type of cutting device used, from manual cutter to ultrasonic knife.

The variety of configuration options makes it possible to choose cutting table systems for both start-ups and large companies with high production needs.

**RollMaster is a versatile cutting table, which works perfectly when used for cutting material precisely to the size.**

It is a perfect choice for roller blinds producers.

## BASIC FEATURES

	RollMaster Standard	RollMaster Super	RollMaster Premium
<b>CUTTING TABLE</b>			
Cutting width	up to 270 cm	up to 320 cm	up to 350 cm
Length	200 – 500 cm		
Height	86-89 cm, regulated		
Frame	powder coated steel profiles		
Table top	25 mm, 2 mm PVC framed		
Colour scheme	blue/grey	blue/grey	black/orange

### CUTTING DEVICE

Rotary cutter	manual	automatic	automatic
Ultrasonic cutter	-	-	yes
Cutting speed	-	1 m/s, optionally adjustable	1 m/s, adjustable
Cutting precision	1 mm		
Voltage	230 V		
Output power	130 W	200 W	1500 W
Protection equipment	blade covers	blade covers start lock with raised holding bar emergency switch	blade covers start lock with raised holding bar emergency switch

### CONTROL FEATURES

Control panel	-	4-digit display, buttons	7" touch panel
Control buttons	-	2 sets	2 sets
Layer counter	yes	yes	yes
Setting the cutting length	-	yes	yes
Rotational speed adjustment	optional	optional	yes
Cutting speed adjustment	-	optional	yes
Cutter home position offset	-	-	yes
Advanced travel settings	-	-	yes
Statistics	-	-	yes
Languages	-	-	6

## OTHER

<b>Holding bar</b>	pneumatic	pneumatic	pneumatic - double
<b>Fabric feeder</b>	upper/bottom	upper/bottom	upper

## OPTIONAL EQUIPMENT

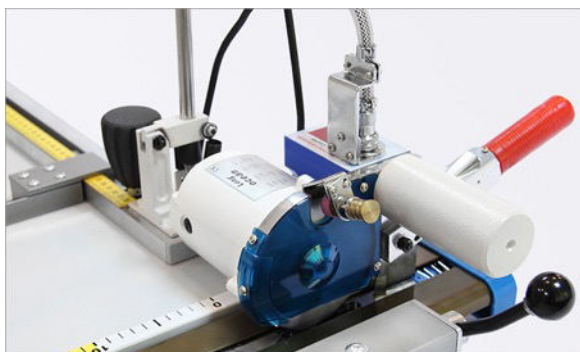
	<b>RollMaster Standard</b>	<b>RollMaster Super</b>	<b>RollMaster Premium</b>
<b>Measuring device</b>	slider with aluminium strip/slider with laser *		
<b>LED backlight</b>	-	optional	yes
<b>Fabric rolling machine</b>	yes, up to 38 mm tubes		
<b>Control frame for rolling-up correctness</b>	yes, up to 38 mm tubes, up to 250 cm width **		
<b>Bottom shelves</b>	optional	optional	optional
<b>Additional assembly table</b>	optional	optional	optional

\* laser recommended for cutting width up to 250 cm

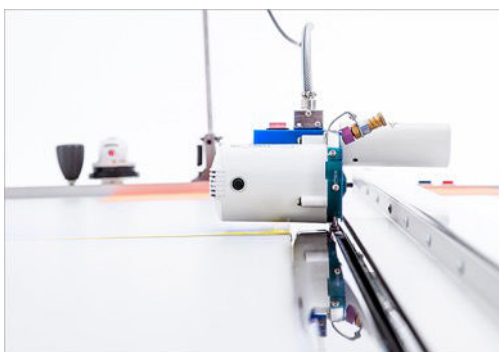
\*\* different sizes on request

# PHOTOS

## CUTTER



The Standard version equipped with a manual cutter



The Super version equipped with an automatic cutter

## HOLDING BAR



Pneumatic holding bar operated with a button or a foot pedal

## FABRIC FEEDER



Bottom version of a fabric feeder saves space if the room is small



Upper version of a fabric feeder makes it easier to unroll the material

## MEASURING STRIP



Slider with aluminum strip helps to block the material on a specified length



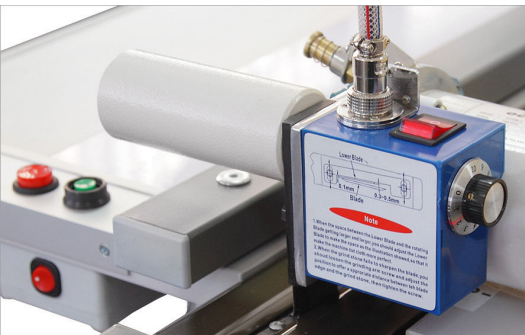
Slider with laser is easier to slide

## LED BACKLIGHT



LED backlight helps to detect errors and cut off the faulty fragment of the material

## ADJUSTMENT OF ROTATIONAL SPEED AND CUTTING SPEED



Cutter speed adjustment is helpful when cutting materials which stick on to the blade



Adjusting the cutting speed is essential when cutting certain materials

## FABRIC ROLLING MACHINE



It is useful to roll the material onto the tube



The side version allows installation on any side of the table

## CONTROL FRAME FOR ROLLING-UP CORRECTNESS



Useful to check that the roller blind is rolled up correctly



The electric version is operated with a lever

## BOTTOM SHELVES AND ASSEMBLY TABLE



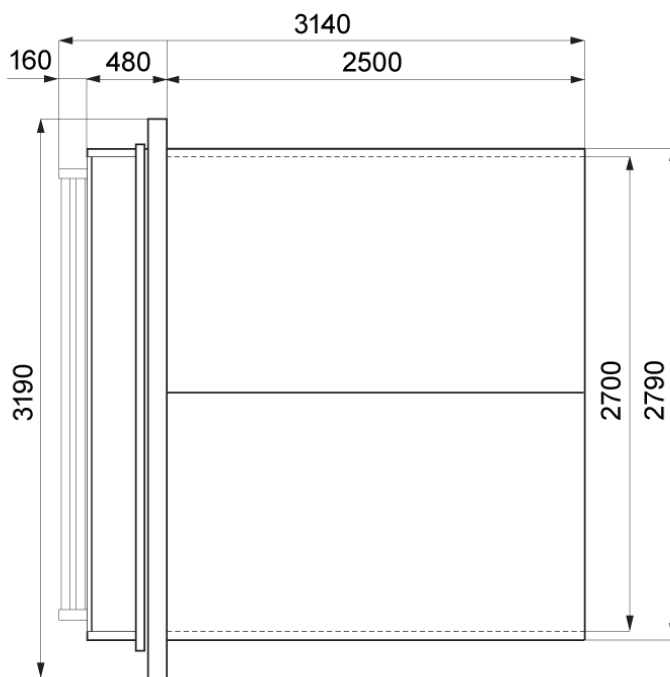
Bottom shelves make a space for storing the rolls of fabrics



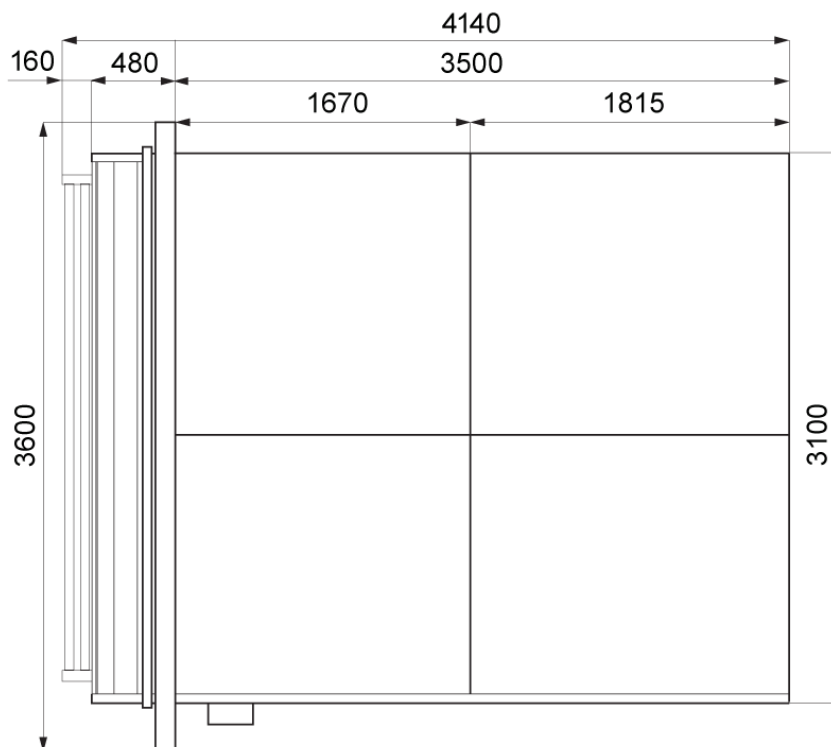
Additional table can be used to assembly the roller blinds

# TECHNICAL DRAWINGS - EXAMPLES

RollMaster 280 Standard – length 250 cm

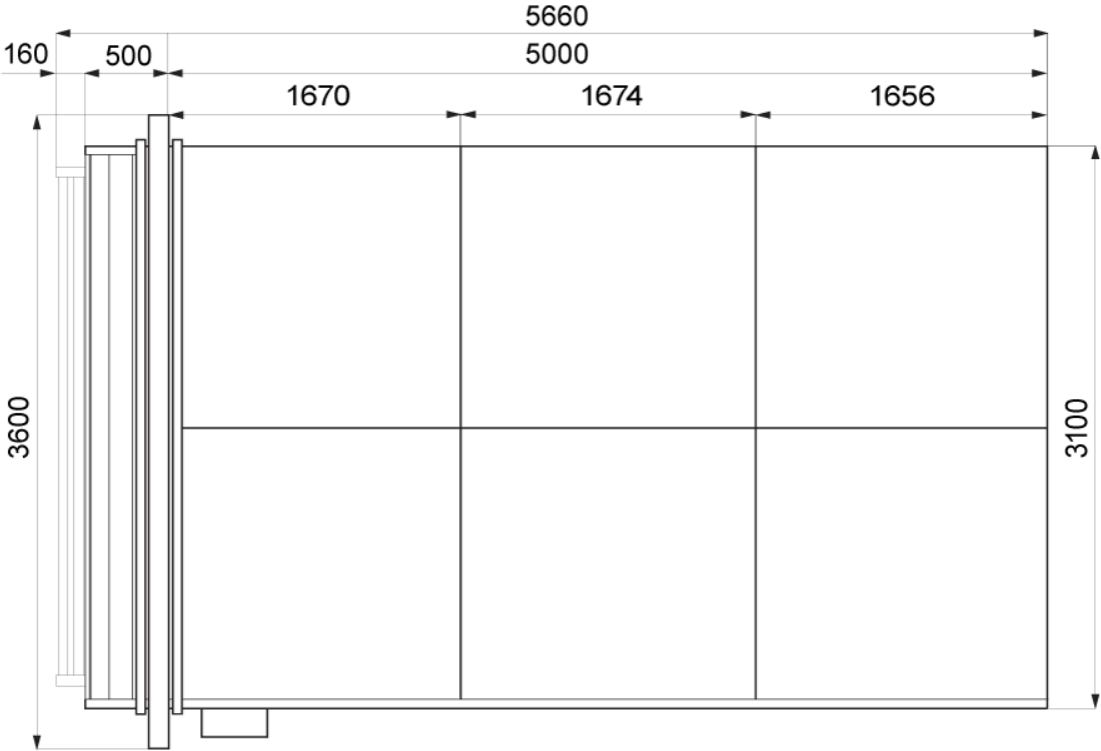


RollMaster 310 Super – length 350 cm





RollMaster 310 Premium – length 500 cm





## **SAMEX Professional Cutting Equipment**

93-160 Łódź, ul. Kilińskiego 300

Poland

+48 42 643 05 30

[info@samex.com.pl](mailto:info@samex.com.pl)

[www.samex.com.pl](http://www.samex.com.pl)

[www.youtube.com/c/SAMEXPoland](https://www.youtube.com/c/SAMEXPoland)